



FLARE FIREPLACES

VENT FREE OUTDOOR LINEAR FIREPLACES



FIND YOUR FLARE

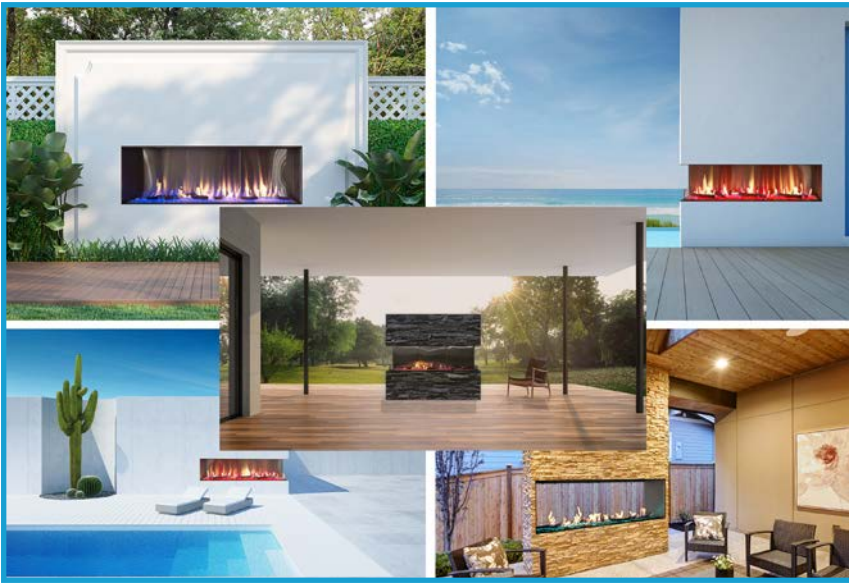
Flare Fireplaces merges contemporary, ergonomic design with practicality and efficiency. Whether you're looking for a stunning centerpiece or heating unit for your outdoor patio or gathering area, Flare Fireplaces is your one-stop source for high-end fireplaces that can do it all.

Our frameless, linear, vent-free fireplaces are made to the highest quality and safety standards. Flare Fireplaces provide simple installation with maximum flexibility, offering 50 different models and extensive options. Choose from 5 different styles of fireplace, each ranging from 50" to 100" wide, and equipped with either a 16" or 24" opening. All our vent-free models come with a 10 year limited warranty, allowing you to enjoy your outdoor fireplace for years to come.

CONTENTS

2	Key Features
3	Optional Features
4	Decorative Media
5-6	Vent Free Front Facing
7-8	Vent Free See Through
9-10	Vent Free Right Corner
11-12	Vent Free Left Corner
13-14	Vent Free Double Corner
15	Picture Key

KEY FEATURES



STYLE CHARACTERISTICS

Five different frameless styles, including corner units, each ranging from 50-100" wide. Standard 16" opening height, or 24" high opening option available, all with our Frameless design.



RGB LED LIGHTING

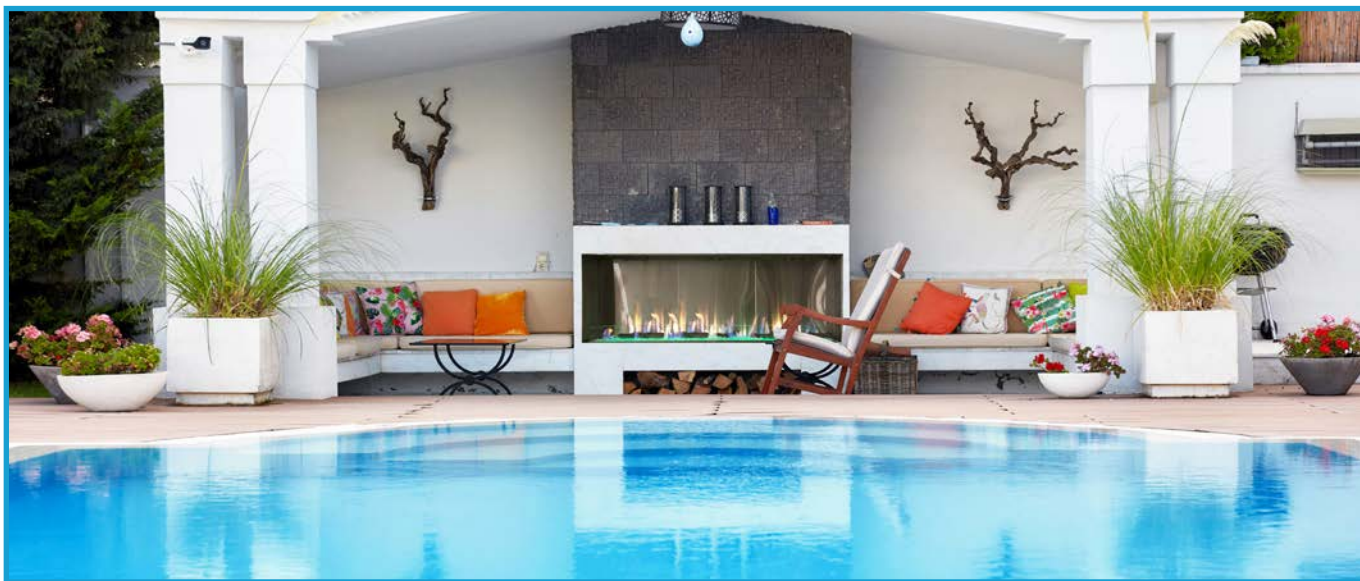
Multi-colored RGB lighting and remote included with every vent free fireplace.



OUTDOOR LINEAR FIREPLACES

CSA certified outdoor linear fireplaces. Perfect for any commercial or residential outdoor project. High BTUs with a gorgeous natural flame presentation, and electronic ignition for simple one-touch operation.

OPTIONAL FEATURES



REFLECTIVE BACK AND SIDES

Let the flames in your fireplace dance and stand out against a black-mirrored ceramic glass background or side panels, adding amazing depth to any Flare Fireplace.

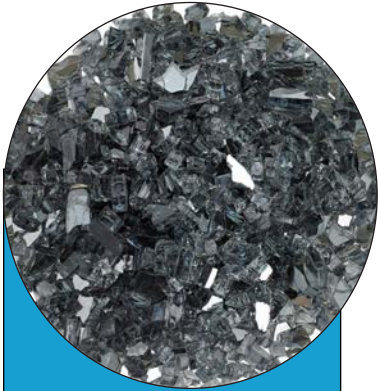


WALLSWITCH AND TIMER

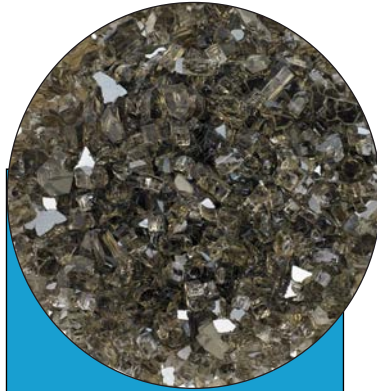
Simple to use wall-mounted On/Off switch and timer options available. Perfect for easy fireplace functionality.



DECORATIVE MEDIA



Silver Fireglass



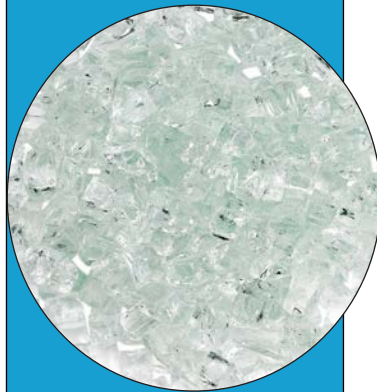
Bronze Fireglass



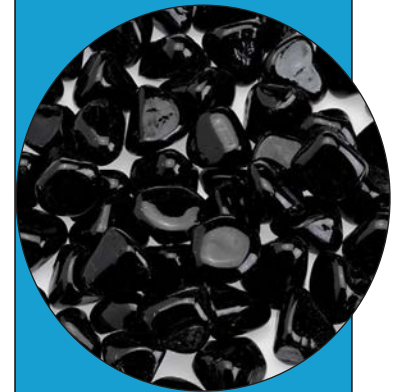
Black Fireglass



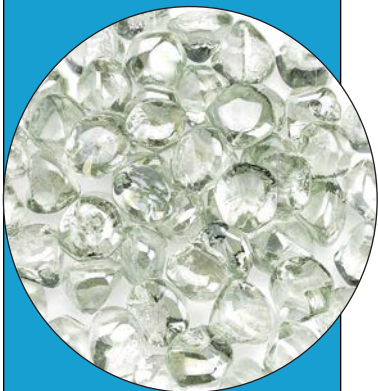
Ice Fireglass



Clear Fireglass



Black Diamonds



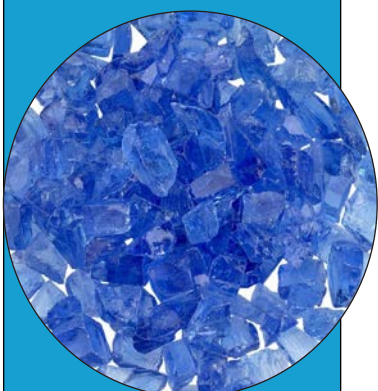
Raindrop Diamonds



Gold Fireglass



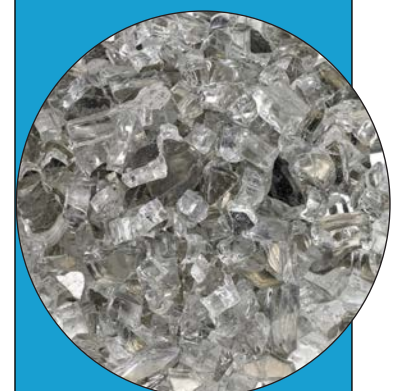
Onyx Fireglass



Aqua Fireglass



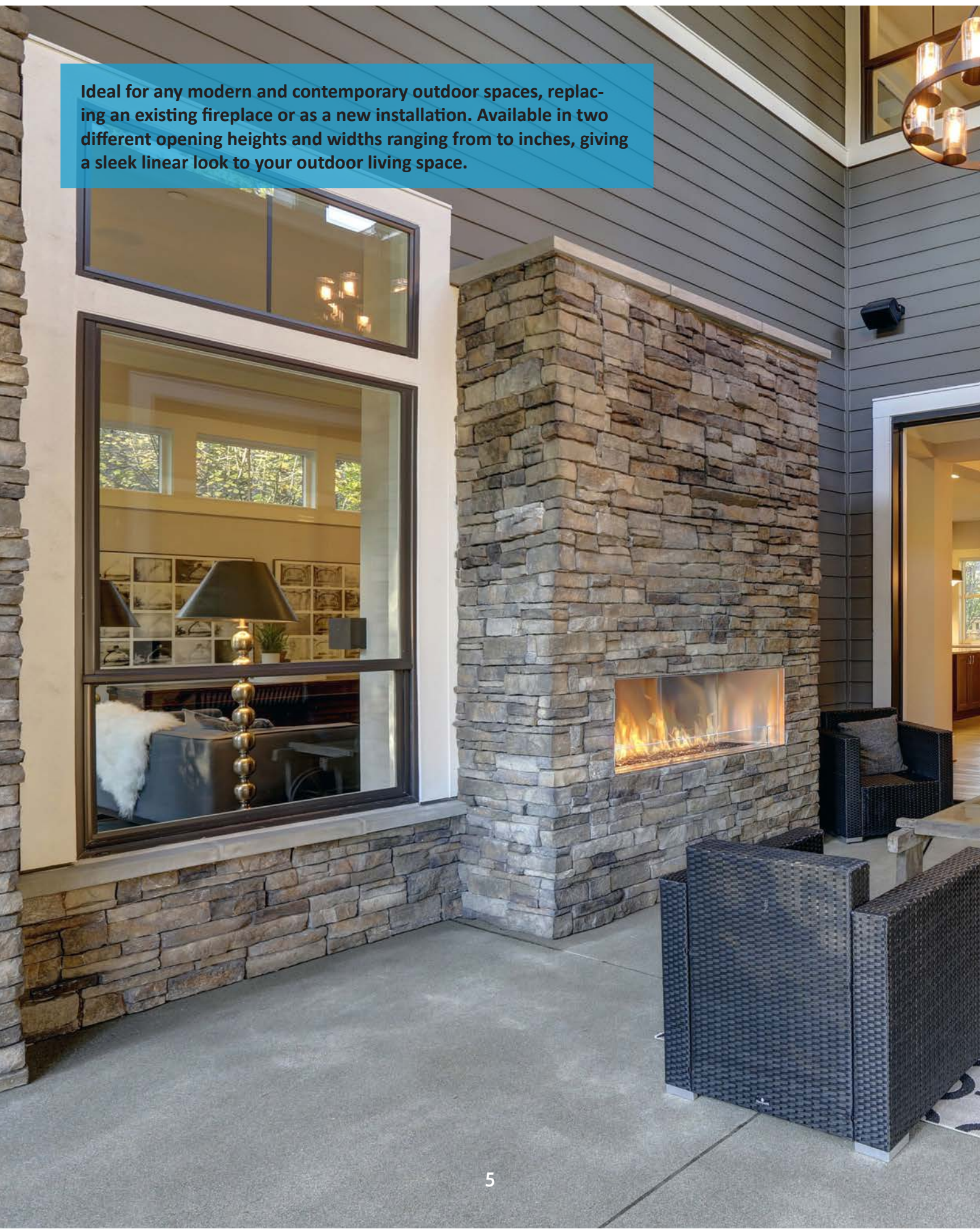
Chestnut Fireglass



Platinum Fireglass

FRONT FACING

Ideal for any modern and contemporary outdoor spaces, replacing an existing fireplace or as a new installation. Available in two different opening heights and widths ranging from to inches, giving a sleek linear look to your outdoor living space.

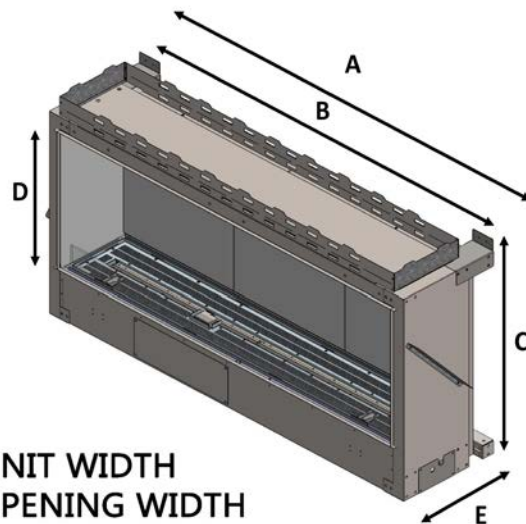


SPECIFICATIONS



MODEL INFO

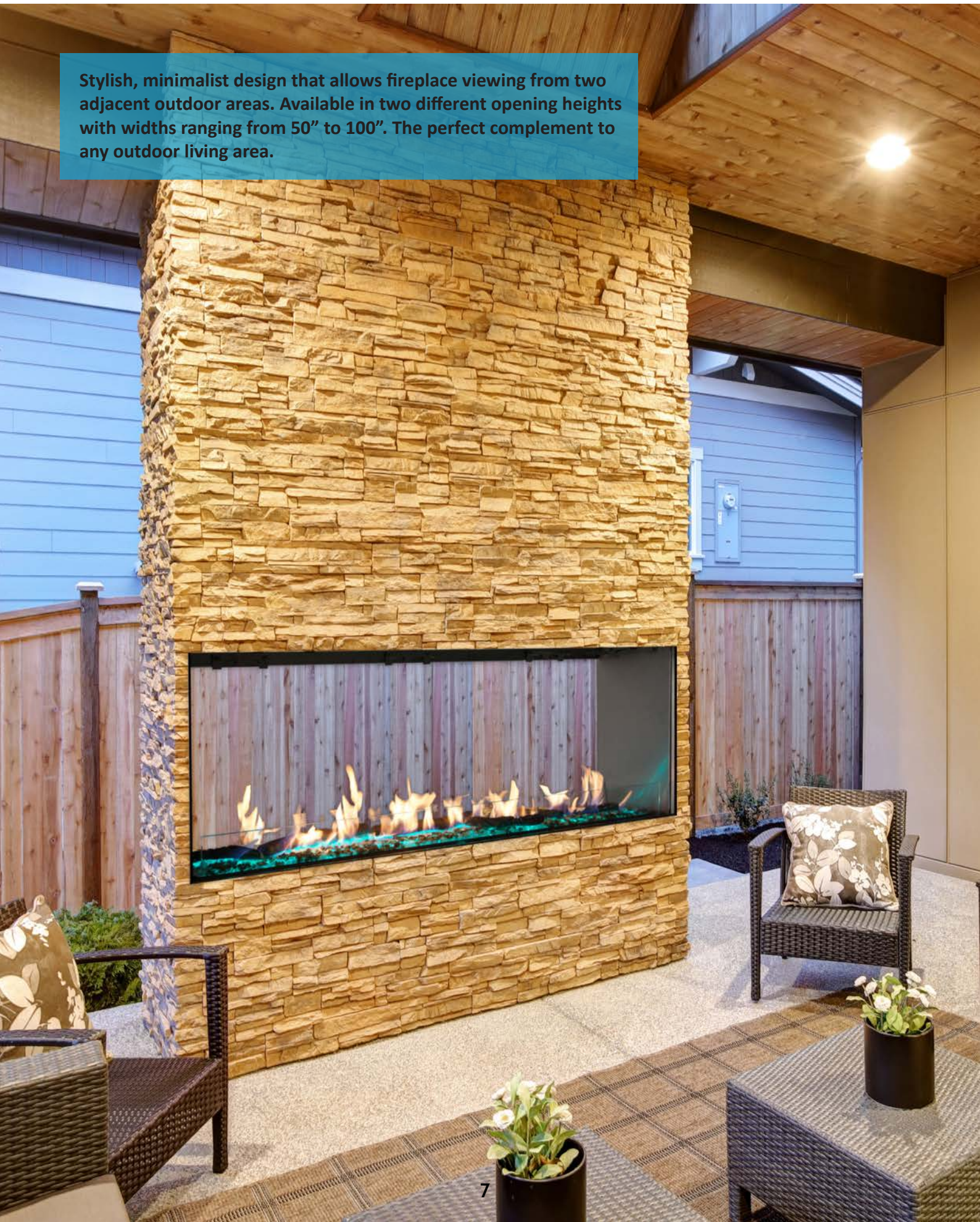
MODEL	A	B	C	D	E
Flare-VFF-100	101 3/4"	97 13/16"	27 3/8"	16"	14 5/8"
Flare-VFF-80	83 5/8"	79 11/16"	27 3/8"	16"	14 5/8"
Flare-VFF-70	73 3/8"	69 7/16"	27 3/8"	16"	14 5/8"
Flare-VFF-60	65 1/2"	61 9/16"	27 3/8"	16"	14 5/8"
Flare-VFF-50	56 13/16"	52 7/8"	27 3/8"	16"	14 5/8"
Flare-VFF-100-H	101 3/4"	97 13/16"	35 1/4"	24"	14 5/8"
Flare-VFF-80-H	83 5/8"	79 11/16"	35 1/4"	24"	14 5/8"
Flare-VFF-70-H	73 3/8"	69 7/16"	35 1/4"	24"	14 5/8"
Flare-VFF-60-H	65 1/2"	61 9/16"	35 1/4"	24"	14 5/8"
Flare-VFF-50-H	56 13/16"	52 7/8"	35 1/4"	24"	14 5/8"



A - UNIT WIDTH
B - OPENING WIDTH
C - UNIT HEIGHT
D - OPENING HEIGHT
E - UNIT DEPTH

SEE THROUGH

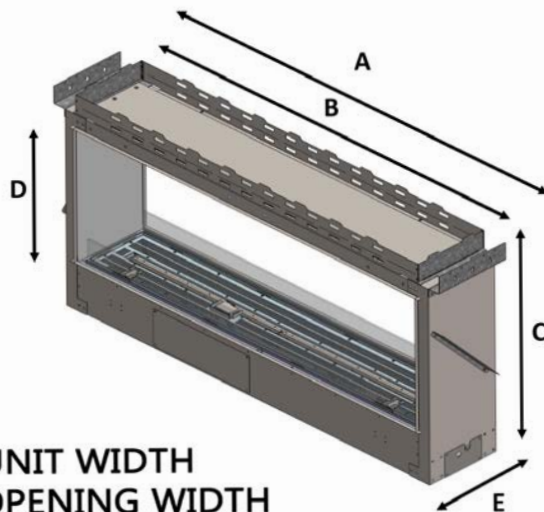
Stylish, minimalist design that allows fireplace viewing from two adjacent outdoor areas. Available in two different opening heights with widths ranging from 50" to 100". The perfect complement to any outdoor living area.



SPECIFICATIONS

MODEL INFO

MODEL	A	B	C	D	E
Flare-VST-100	101 3/4"	97 13/16"	27 3/8"	16"	12 1/16"
Flare-VST-80	83 5/8"	79 11/16"	27 3/8"	16"	12 1/16"
Flare-VST-70	73 3/8"	69 7/16"	27 3/8"	16"	12 1/16"
Flare-VST-60	65 1/2"	61 9/16"	27 3/8"	16"	12 1/16"
Flare-VST-50	56 13/16"	52 7/8"	27 3/8"	16"	12 1/16"
Flare-VST-100-H	101 3/4"	97 13/16"	35 1/4"	24"	12 1/16"
Flare-VST-80-H	83 5/8"	79 11/16"	35 1/4"	24"	12 1/16"
Flare-VST-70-H	73 3/8"	69 7/16"	35 1/4"	24"	12 1/16"
Flare-VST-60-H	65 1/2"	61 9/16"	35 1/4"	24"	12 1/16"
Flare-VST-50-H	56 13/16"	52 7/8"	35 1/4"	24"	12 1/16"



A - UNIT WIDTH
B - OPENING WIDTH
C - UNIT HEIGHT
D - OPENING HEIGHT
E - UNIT DEPTH



RIGHT CORNER

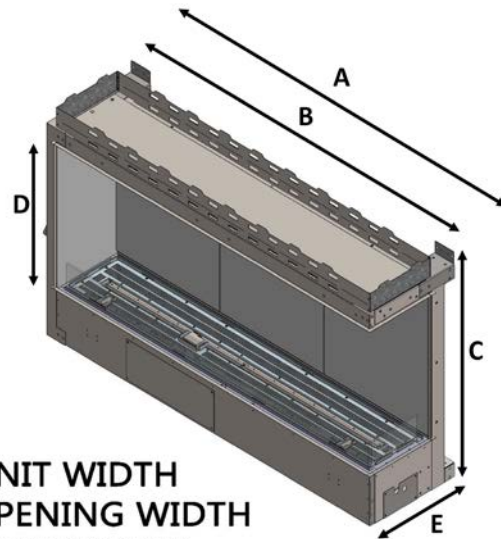
The Right Corner fireplace allows more viewing angles with its innovative design. The frameless glass corner attracts the eye, making it the center of attention. A luxurious fireplace experience, clean design, superior build quality and features.



SPECIFICATIONS

MODEL INFO

MODEL	A	B	C	D	E
Flare-VRC-100	100 6/16"	97 13/16"	27 3/8"	16"	14 5/8"
Flare-VRC-80	82 4/16"	79 11/16"	27 3/8"	16"	14 5/8"
Flare-VRC-70	72"	69 7/16"	27 3/8"	16"	14 5/8"
Flare-VRC-60	64 2/16"	61 9/16"	27 3/8"	16"	14 5/8"
Flare-VRC-50	55 8/16"	52 14/16"	27 3/8"	16"	14 5/8"
Flare-VRC-100-H	100 6/16"	97 13/16"	35 1/4"	24"	14 5/8"
Flare-VRC-80-H	82 4/16"	79 11/16"	35 1/4"	24"	14 5/8"
Flare-VRC-70-H	72"	69 7/16"	35 1/4"	24"	14 5/8"
Flare-VRC-60-H	64 2/16"	61 9/16"	35 1/4"	24"	14 5/8"
Flare-VRC-50-H	55 8/16"	52 14/16"	35 1/4"	24"	14 5/8"



- A - UNIT WIDTH
- B - OPENING WIDTH
- C - UNIT HEIGHT
- D - OPENING HEIGHT
- E - UNIT DEPTH

LEFT CORNER

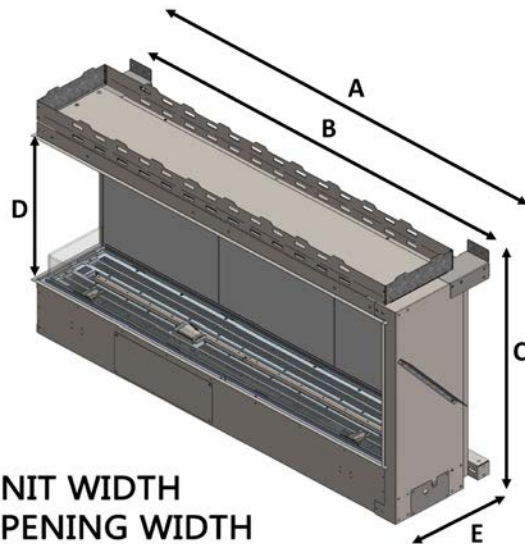
The Left Corner fireplace allows more viewing angles with its innovative design. The frameless glass corner attracts the eye, making it the center of attention. A luxurious fireplace experience, clean design, superior build quality and features.



SPECIFICATIONS

MODEL INFO

MODEL	A	B	C	D	E
Flare-VLC-100	100 6/16"	97 13/16"	27 3/8"	16"	14 5/8"
Flare-VLC-80	82 4/16"	79 11/16"	27 3/8"	16"	14 5/8"
Flare-VLC-70	72"	69 7/16"	27 3/8"	16"	14 5/8"
Flare-VLC-60	64 2/16"	61 9/16"	27 3/8"	16"	14 5/8"
Flare-VLC-50	55 8/16"	52 14/16"	27 3/8"	16"	14 5/8"
Flare-VLC-100-H	100 6/16"	97 13/16"	35 1/4"	24"	14 5/8"
Flare-VLC-80-H	82 4/16"	79 11/16"	35 1/4"	24"	14 5/8"
Flare-VLC-70-H	72"	69 7/16"	35 1/4"	24"	14 5/8"
Flare-VLC-60-H	64 2/16"	61 9/16"	35 1/4"	24"	14 5/8"
Flare-VLC-50-H	55 8/16"	52 14/16"	35 1/4"	24"	14 5/8"



- A - UNIT WIDTH
- B - OPENING WIDTH
- C - UNIT HEIGHT
- D - OPENING HEIGHT
- E - UNIT DEPTH

DOUBLE CORNER

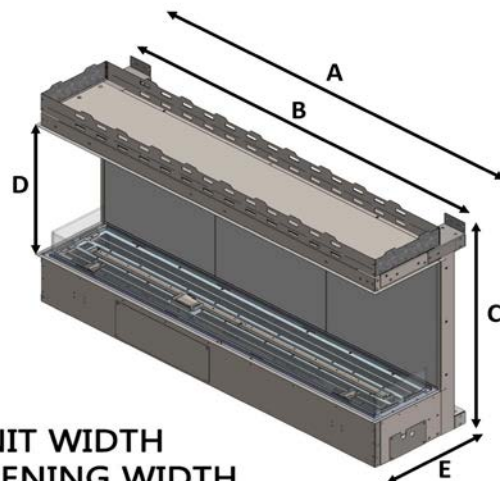
An intriguing three-sided view of the fireplace makes the Flare Double Corner exceptionally stylish and practical. The fireplace corners are clean and smooth thanks to Flare's sleek stainless-steel design. This outdoor fireplace is absolutely stunning from any angle.



SPECIFICATIONS

MODEL INFO

MODEL NAME	A	B	C	D	E
Flare-VDC-100	99"	97 13/16"	27 3/8"	16"	14 9/16"
Flare-VDC-80	80 14/16"	79 11/16"	27 3/8"	16"	14 9/16"
Flare-VDC-70	70 11/16"	69 7/16"	27 3/8"	16"	14 9/16"
Flare-VDC-60	62 13/16"	61 9/16"	27 3/8"	16"	14 9/16"
Flare-VDC-50	54 2/16"	52 14/16"	27 3/8"	16"	14 9/16"
Flare-VDC-100-H	99"	97 13/16"	35 1/4"	24"	14 9/16"
Flare-VDC-80-H	80 14/16"	79 11/16"	35 1/4"	24"	14 9/16"
Flare-VDC-70-H	70 11/16"	69 7/16"	35 1/4"	24"	14 9/16"
Flare-VDC-60-H	62 13/16"	61 9/16"	35 1/4"	24"	14 9/16"
Flare-VDC-50-H	54 2/16"	52 14/16"	35 1/4"	24"	14 9/16"



A - UNIT WIDTH
B - OPENING WIDTH
C - UNIT HEIGHT
D - OPENING HEIGHT
E - UNIT DEPTH

PICTURE KEY

Cover - Vent Free Front Facing 60" Fireplace

Page 2 - Style Collage, Vent Free Front Facing 50" Fireplace

Page 5-6 - Vent Free Front Facing 50" Fireplace

Page 7-8 - Vent Free See Through 70" Fireplace with a 24" High Opening

Page 9-10 - Vent Free Right Corner 70" Fireplace

Page 11-12 - Vent Free Left Corner 70" Fireplace

Page 13-14 - Vent Free Double Corner 70" Fireplace with a 24" High Opening

Back Cover - Vent Free Front Facing 60" Fireplace with a 24" High Opening



**FLARE**
FIREPLACES
Frameless Is More

Flare Fireplaces LLC
890 N. Dorothy Dr. Suite 900
Richardson, TX 75081

Phone/ Fax: 1-866-639-1590

flarefireplaces.com | Version 4.0