

DRT4200 / DRT4000

FULL-SIZE DIRECT VENT GAS FIREPLACES



FULL-SIZE DIRECT VENT GAS FIREPLACES

DRT4200

DRT4245 fireplace shown with Blackstone Fiber Liners and Craftsman (black) Façade



The DRT4200 Series of direct vent gas fireplaces is the epitome of luxurious value. This charming fireplace series comes standard with multiple premium features including gorgeous high-definition logs, interior lighting, and ceramic glass. Off or on, the DRT4200 Series fireplaces will retain their warm appeal every season of the year.

STANDARD FEATURES

- 🔥 Available in 40" and 45" models
- 🔥 Full-size 21" deep models offer a larger fireplace interior and log arrangement
- 🔥 Top flue configuration
- 🔥 Electronic ignition w/ seamless battery backup provides continued operation in the event of a power outage (IPI/CPI switch standard).
- 🔥 Outstanding heating efficiency for increased comfort and lower operating costs
- 🔥 Ceramic glass for optimum heat transfer and a protective screen*
- 🔥 Beautifully crafted high-definition ceramic fiber log set with heavy-duty grate
- 🔥 Face selections include a Vista inside fit façade or one of several Designer overlap fit façades (required)
- 🔥 Interior selections consist of black reflective porcelain or a variety of ceramic fiber liners (required)
- 🔥 Mood enhancing interior illumination with six distinctive settings
- 🔥 Factory installed blower with six speed settings to fine tune your heating needs
- 🔥 Full-function remote control included (IPI/CPI, thermostat, flame height, blower, lighting)
- 🔥 Durable textured powder coat finish
- 🔥 20 year limited warranty

*All applicable models comply with ANSI Z21.50/88 barrier requirements.



DRT4245 Ceramic Fiber Log Set and Greystone Fiber Liner

INTERIOR

Required Option (Choose one).



Porcelain Liner Kit (Black)



Blackstone



Greystone



Blended Brown

CONTROL OPTIONS

- Manual On/Off and Smart Thermostat Modes
- 6 Flame Modulation Settings
- 6 Blower Control Settings
- 6 Interior Illumination Settings



ProFlame II Remote

FAÇADES

Required Option (Choose one).



VISTA
Black



REFLECTION
Black or
Warm Chestnut (Shown)



CRAFTSMAN
Black (Shown) or
Warm Chestnut

DECORATIVE FACE SURROUNDS (Optional)

Give your fireplace a truly modern finish with a stainless steel decorative face surround kit (Vista Façade required).



STAINLESS SURROUND
Four-Sided



STAINLESS SURROUND
Three-Sided

FULL-SIZE DIRECT VENT GAS FIREPLACES

DRT4000

DRT4040 shown with Greystone Liner and Vista (black) Façade



The DRT4000 Series of direct vent gas fireplaces represents affordable craftsmanship. This fireplace series comes standard with superbly designed high-definition logs, brilliant flames and glowing ember bed. The DRT4000 Series also offers a variety of optional accessories that will add more flair to your fireplace to make your home both warm and alluring.

STANDARD FEATURES

- 🔥 Available in 40" and 45" models
- 🔥 Full-size 21" deep models offer a larger fireplace interior and log arrangement
- 🔥 Top flue configuration
- 🔥 Electronic ignition with seamless battery backup provides continued operation in the event of a power outage (IPI/CPI switch standard).
- 🔥 Outstanding heating efficiency for increased comfort and lower operating costs
- 🔥 Standard tempered glass and a protective screen*
- 🔥 Beautifully crafted high-definition ceramic fiber log set with heavy-duty grate
- 🔥 Face selections include a Vista inside fit façade or one of several Designer overlap fit façades (required)
- 🔥 Black painted interior (optional liners available)
- 🔥 Optional blower and touch remote or hand-held remote control available for all models
- 🔥 Durable textured powder coat finish
- 🔥 20 year limited warranty

*All applicable models comply with ANSI Z21.50/88 barrier requirements.



DRT4040 shown with Greystone Liner

INTERIOR

Choose from four optional liners (Black Painted Interior is standard).



Porcelain Liner Kit (Black)



Blackstone



Greystone



Blended Brown

ADDITIONAL ACCESSORIES

- Blower with multiple control options
- Hand-held Remote or Wall Mounted controls



Thermostatic Remote (Optional)



Hand-Held On/Off Remote (Optional)

FAÇADES

Required Option (Choose one).



VISTA
Black



REFLECTION
Black or
Warm Chestnut (Shown)



CRAFTSMAN
Black (Shown) or
Warm Chestnut

DECORATIVE FACE SURROUNDS (Optional)

Give your fireplace a truly modern finish with a stainless steel decorative face surround kit (Vista Façade required).



STAINLESS SURROUND
Four-Sided



STAINLESS SURROUND
Three-Sided



[Click or Scan for Product Details-Brochures-Smart Sheets-Specification Sheets-Installation Manuals](#)

DRT4200
Traditional | Pro Series

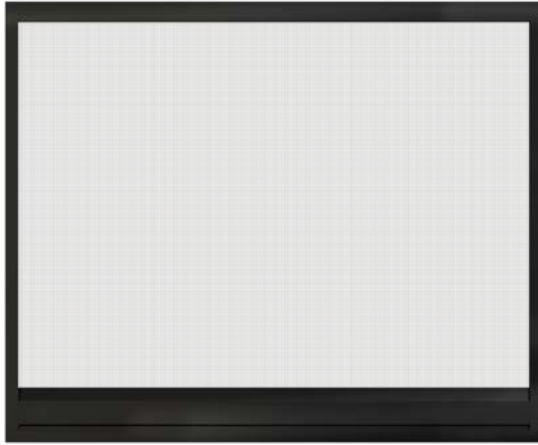


DRT4000
Traditional | Merit Series

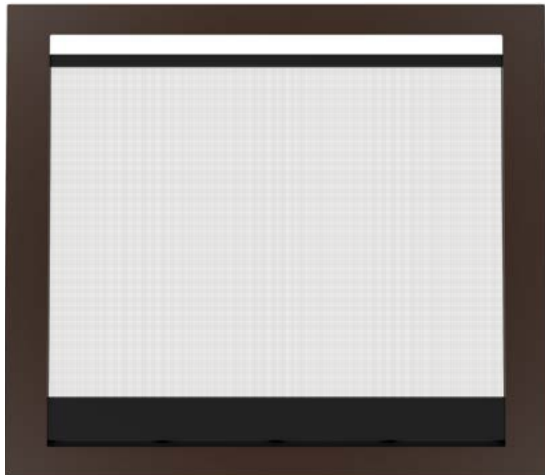


Personalize your fireplace with a variety of façade and interior liner combinations that are sure to transform your living space into a warm and inviting sanctuary.

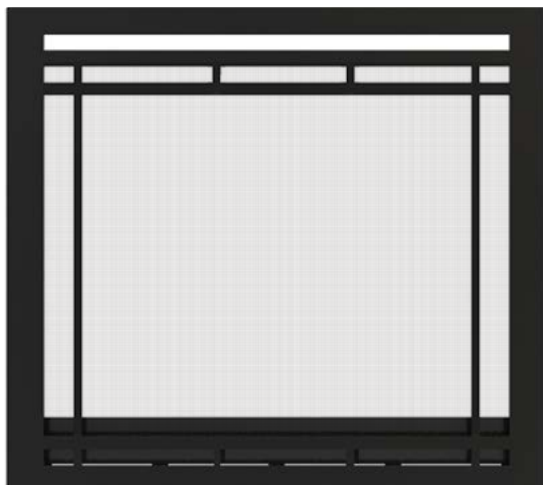
INTERIOR



Vista inside fit façade in Black finish



Reflec on overlap fit façade in Warm Chestnut (shown) or Black finish



Craftsman overlap fit façade in Warm Chestnut or Black (shown) finish

FAÇADES



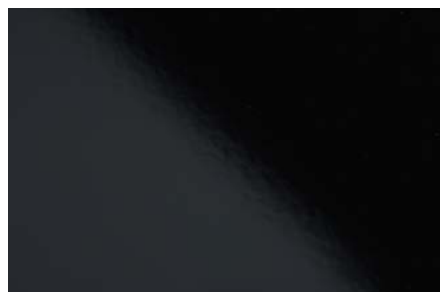
Blackstone Stacked



Blended Brown Stacked



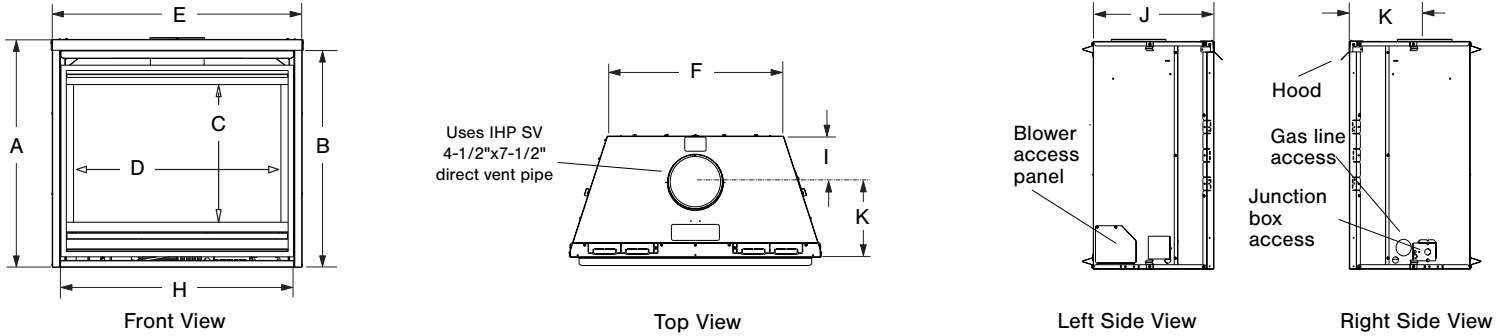
Greystone Stacked



Porcelain Black

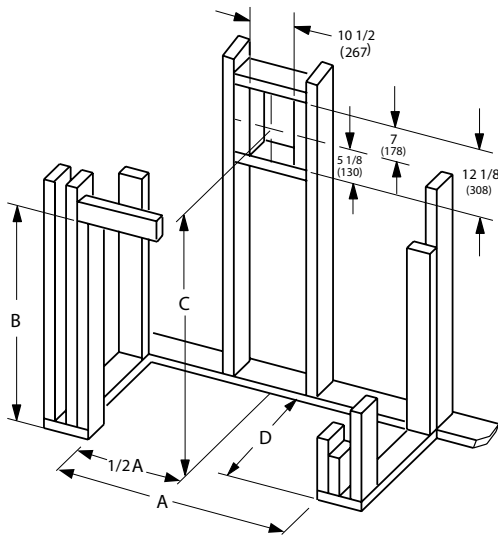
SPECIFICATIONS

APPLIANCE DIMENSIONS



MODEL	A	B	C	D	E	F	H	I	J	K
40" MODELS	37-1/8"	34-5/8"	24-1/2"	34-1/4"	40-1/4"	30"	37-7/8"	6-7/8"	21"	12-3/8"
45" MODELS	37-1/8"	34-5/8"	24-1/2"	39-1/4"	45-1/4"	35"	42-7/8"	6-7/8"	21"	12-3/8"

FRAMING DIMENSIONS



MODEL	A	B	C	D
40" MODELS	40-7/8"	41-1/4" *	43-3/4"	23"
45" MODELS	45-7/8"	41-1/4" *	55-3/4"	23"

* Includes 4" for fold-up standoffs

FIREPLACE EFFICIENCIES

MODEL	FUEL	BTU/HR	P4 / ENERGUIDE*
DRT4240	NG	36,000-24,000	62.4%
DRT4240	LP	31,000-21,000	62.9%
DRT4245	NG	42,000-25,000	62.7%
DRT4245	LP	41,000-22,000	62.4%
DRT4040	NG	28,000-20,000	57.1%
DRT4040	LP	25,000-18,000	58.6%
DRT4045	NG	31,000-21,000	59.6%
DRT4045	LP	31,000-20,000	62.8%

*Intermittent ignition systems.

IMPORTANT NOTES:

As with any fireplace, this appliance is extremely hot during operation. Read and understand all operating instructions before using this appliance. For further information, consult your dealer.

Local conditions, such as elevation, wind, vent configuration and choice of fuel will affect overall appearance of the fire and heating performance. Performance can also vary with home design and insulation, climate, condition and type of fuel used, appliance location, burn rate, accessories chosen, chimney installation and how the appliance is operated.

Diagrams, illustrations and photographs are not to scale—consult installation instructions. Product designs, materials, dimensions, specifications, colors and prices are subject to change or discontinuance without notice.



© 2024 Innovative Hearth Products
785903M 06/24

Visit us online
SuperiorFireplaces.us.com

