

DRT3500 / DRC3000 / DRT3000 / DRT2000

MID-SIZE DIRECT VENT GAS FIREPLACES



MID-SIZE DIRECT VENT GAS FIREPLACES

DRT3500

DRT3540 fireplace shown
with Blackstone Fiber Liners
and Vista (black) Façade



The DRT3500 Series is the true representation of fully-featured value. Equipped standard with appealing features such as ceramic glass, interior illumination, full function remote, and blower kit. Choose from a variety of interior liners for a personal "signature" touch. Versatile. Efficient. Affordable. The DRT3500 Series is value without compromise.

STANDARD FEATURES

- Available in 35", 40" and 45" models
- Mid-size 17" depth saves installed floor space
- Combination top/rear flue configuration
- Electronic ignition with seamless battery backup and provides continued operation in the event of a power outage (IPI/CPI switch standard)
- Outstanding heating efficiency for increased comfort and lower operating costs
- Ceramic glass for optimum heat transfer and a protective screen*
- Beautifully crafted high-definition log set
- Face selections include a Vista inside fit façade or one of several Designer overlap fit facades (required)
- Interior selections consist of black porcelain and a variety of ceramic fiber liners (required)
- Mood enhancing interior illumination with six distinctive settings
- Factory installed blower with six speed settings to fine tune your heating needs
- Full-function remote control included (IPI/CPI, thermostat, flame height, blower, lighting)
- Durable textured powder coat finish
- 20 year limited warranty

*All applicable models comply with ANSI Z21.50/88 barrier requirements.



DRT3535 Ceramic Fiber
Log Set and Black
Porcelain Liner

INTERIOR

Required Option (Choose one).



Porcelain Liner Kit (Black)



Blackstone



Greystone



Blended Brown

CONTROL OPTIONS

- Manual On/Off and Smart Thermostat Modes
- 6 Flame Modulation Settings
- 6 Blower Control Settings
- 6 Interior Illumination Settings



ProFlame II Remote

FAÇADES

Required Option (Choose one).



VISTA
Black



REFLECTION
Black or
Warm Chestnut (Shown)



CRAFTSMAN
Black (Shown) or
Warm Chestnut

DECORATIVE FACE SURROUNDS (Optional)

Give your fireplace a truly modern finish with a stainless steel decorative face surround kit (Vista Façade required).



STAINLESS SURROUND
Four-Sided



STAINLESS SURROUND
Three-Sided

MID-SIZE DIRECT VENT GAS FIREPLACES

DRC3000



DRC3040 fireplace shown with Reflective Black Crushed Glass and Reflection (black) Façade

The DRC3000 Series is transitional style and value at its finest. Suited with contemporary standard features like reflective black crushed glass floor media and dancing yellow flames, the DRC3000 Series also features outstanding heating capabilities. Sleek. Elegant. Powerful. The epitome of modern value.

STANDARD FEATURES

- 🔥 Available in 35", 40" and 45" models
- 🔥 Mid-size 17" depth saves installed floor space
- 🔥 Combination top/rear flue configuration
- 🔥 Electronic ignition with seamless battery backup provides continued operation in the event of a power outage (IPI/CPI switch standard)
- 🔥 Outstanding heating efficiency for increased comfort and lower operating costs
- 🔥 Standard tempered glass and a protective screen*
- 🔥 Reflective black crushed glass media included with optional colors available to customize the look
- 🔥 Face selections include a Vista inside fit façade or one of several Designer overlap fit facades (required)
- 🔥 Black painted interior (optional liner available)
- 🔥 Optional blower and touch remote or hand-held remote control available for all models
- 🔥 Durable textured powder coat finish
- 🔥 20 year limited warranty

*All applicable models comply with ANSI Z21.50/88 barrier requirements.



INTERIOR



Black Painted Interior (Standard)



Black Porcelain Liner (Optional)

MEDIA



Reflective Black Crushed Glass (Standard)



Platinum Crushed Glass



Reflective Blue Crushed Glass



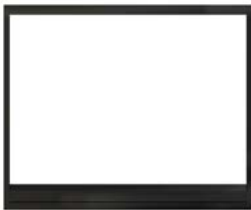
River Rock Assorted Set

LOG SETS



High-Definition Driftwood Log Set (35" Shown)

FAÇADES



VISTA
Black



REFLECTION
Black or
Warm Chestnut (Shown)

DECORATIVE FACE SURROUNDS (Optional)



STAINLESS SURROUND
Four-Sided



STAINLESS SURROUND
Three-Sided

CONTROL OPTIONS



Thermostatic
Remote
(Optional)



Hand-Held
On/Off
Remote
(Optional)

MID-SIZE DIRECT VENT GAS FIREPLACES

DRT3000

DRT3040 fireplace shown with Blackstone Fiber Liners and Vista (black) Facade

Modest yet refined, the DRT3000 Series fireplaces provide undeniable value and quality. With a wide selection of interior liner options, high-definition logs, vibrant flames, a variety of control options and reliable performance, the DRT3000 Series is a wise choice for any home.

STANDARD FEATURES

- 🔥 Available in 35", 40" and 45" models
- 🔥 Mid-size 17" depth saves installed floor space
- 🔥 Combination top/rear flue configuration
- 🔥 Millivolt or Electronic ignition models available
- 🔥 Electronic ignition models include seamless battery backup and provides continued operation in the event of a power outage (IPI/CPI switch standard)
- 🔥 Outstanding heating efficiency for increased comfort and lower operating costs
- 🔥 Standard tempered glass and a protective screen*
- 🔥 Detailed ceramic fiber log set
- 🔥 Face selections include a Vista inside fit façade or one of several Designer overlap fit facades (required)
- 🔥 Black painted interior (optional liners available)
- 🔥 Optional blower and touch remote or hand-held remote control available for all models
- 🔥 Durable textured powder coat finish
- 🔥 20 year limited warranty

*All applicable models comply with ANSI Z21.50/88 barrier requirements.



DRT3035 shown with Greystone Liner

INTERIOR

Choose from four optional liners (Black Painted Interior is standard).



Porcelain Liner Kit (Black)



Blackstone



Greystone



Blended Brown

ADDITIONAL ACCESSORIES

- Blower with multiple control options
- Hand-held Remote or Wall Mounted controls



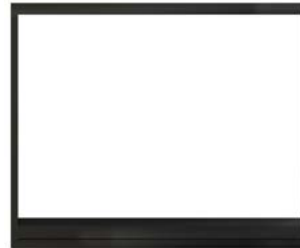
Thermostatic Remote (Optional)



Hand-Held On/Off Remote (Optional)

FAÇADES

Required Option (Choose one).



VISTA



REFLECTION
Black or
Warm Chestnut (Shown)



CRAFTSMAN
Black (Shown) or
Warm Chestnut

DECORATIVE FACE SURROUNDS (Optional)

Give your fireplace a truly modern finish with a stainless steel decorative face surround kit (Vista Façade required).



STAINLESS SURROUND
Four-Sided



STAINLESS SURROUND
Three-Sided

MID-SIZE DIRECT VENT GAS FIREPLACES

DRT2000



DRT2040 fireplace shown with Blended Brown Fiber Liners and Vista Façade

The DRT2000 Series offers excellent value without compromising on quality or design. These fireplaces offer an array of standard features, increased performance and state of the art technology to ensure many years of beauty and warmth.

STANDARD FEATURES

- 🔥 Available in 35", 40" and 45" models
- 🔥 Mid-size 17" depth saves installed floor space
- 🔥 Dedicated top or rear flue configuration (45" model is a combo top/rear)
- 🔥 Millivolt or Electronic ignition models available
- 🔥 Electronic ignition models include seamless battery backup and provides continued operation in the event of a power outage (IPI/CPI switch standard)
- 🔥 Outstanding heating efficiency for increased comfort and lower operating costs
- 🔥 Standard tempered glass and a protective screen*
- 🔥 Detailed ceramic fiber log set
- 🔥 Vista inside fit façade included (optional Designer overlap fit facades available)
- 🔥 Black painted interior (optional liners available)
- 🔥 Optional blower and touch remote or hand-held remote control available for all models
- 🔥 Durable textured powder coat finish
- 🔥 20 year limited warranty

*All applicable models comply with ANSI Z21.50/88 barrier requirements.



DRT2040 shown
with Blackstone Liner

INTERIOR

Choose from four optional liners (Black Painted Interior is standard).



Porcelain Liner Kit (Black)



Blackstone



Greystone



Blended Brown

ADDITIONAL ACCESSORIES

- Blower with multiple control options
- Hand-held Remote or Wall Mounted controls



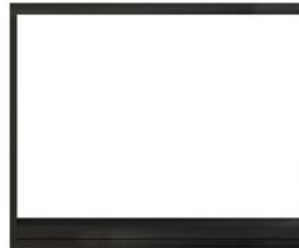
Thermostatic
Remote
(Optional)



Hand-Held
On/Off
Remote
(Optional)

FAÇADES

Select from a wide variety of unique, hand-crafted designs and colors to accentuate your DRT2000 fireplace.



VISTA
Black (Standard)



REFLECTION
Black or
Warm Chestnut (Shown)



CRAFTSMAN
Black (Shown) or
Warm Chestnut

DECORATIVE FACE SURROUNDS (Optional)

Give your fireplace a truly modern finish with a stainless steel decorative face surround kit (Vista Façade required).



STAINLESS SURROUND
Four-Sided



STAINLESS SURROUND
Three-Sided

SIDE-BY-SIDE COMPARISONS

MODELS	DRT3500	DRC3000	DRT3000	DRT2000
Design Style	TRADITIONAL	CONTEMPORARY	TRADITIONAL	TRADITIONAL
Model Sizes	35", 40", 45"			
Framing Width*	35-7/8", 40-7/8", 45-7/8"			
Framing Height*	36-1/4", 41-1/4", 41-1/4"			
Framing Depth*	18-1/2", 18-1/2", 18-1/2"			
Viewing Area Width x Height*	29-1/4" x 19-1/2", 34-1/4" x 24-1/2", 39-1/4" x 24-1/2"			
Max BTUH Natural Gas	26k, 32k, 35k	20k, 23k, 28k	20k, 24k, 28k	18k, 21k, 23k
Venting Configurations	Top/Rear	Top/Rear	Top/Rear	Top/Rear
Glass Front	Ceramic	Tempered	Tempered	Tempered
Controls	Electronic	Electronic	Millivolt or Electronic	Millivolt or Electronic
Decorative Façade	Required (Choose 1)	Required (Choose 1)	Required (Choose 1)	Optional
Cer. Fiber & Black Refl. Interior Liners	Required (Choose 1)	Optional	Optional	Optional
Interior Illumination	Ceiling Lighting	N/A	N/A	N/A
Blower	Included	Optional	Optional	Optional
Hand Held Remote Control	Included Full-Function	Optional	Optional	Optional
Secure Vent Size & Type	4.5 x 7.5 Rigid or Flex			
Warranty	20 Year Limited Warranty			



DRT3500
Traditional | Pro Series



DRC3000
Contemporary | Pro Series



[Click or Scan for Product Details-Brochures-Smart Sheets-Specification Sheets-Installation Manuals](#)



DRT3000
Traditional | Pro Series

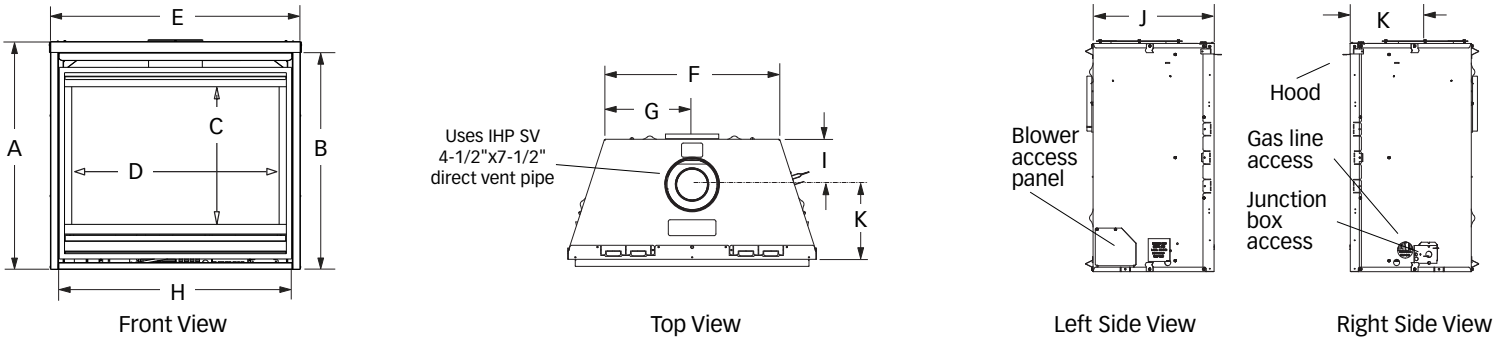


DRT2000
Traditional | Merit Series



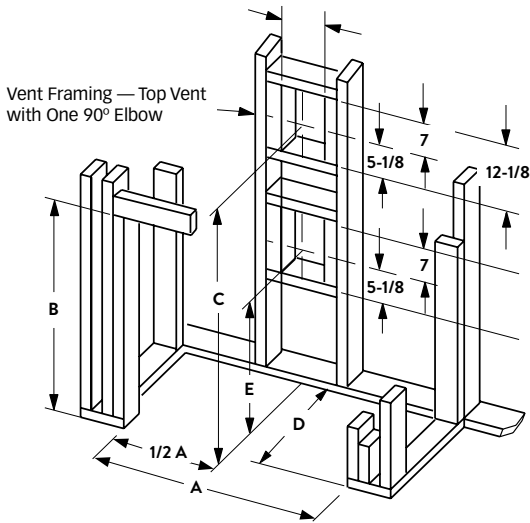
SPECIFICATIONS

APPLIANCE DIMENSIONS



MODEL	A	B	C	D	E	F	G	H	I	J	K
35" MODELS	32-1/8"	30-1/2"	19-1/2"	29-1/4"	35-1/4"	25"	12-1/2"	32-7/8"	6-7/8"	17"	10-1/8"
40" MODELS	37-1/8"	35-1/2"	24-1/2"	34-1/4"	40-1/4"	30"	15"	37-7/8"	6-7/8"	17"	10-1/8"
45" MODELS	37-1/8"	35-1/2"	24-1/2"	39-1/4"	45-1/4"	35"	17-1/2"	42-7/8"	6-7/8"	17"	10-1/8"

FRAMING DIMENSIONS



MODEL	A	B	C	D	E
35" MODELS	35-7/8"	36-1/4" *	38-3/4"	18-1/2"	23-3/8"
40" MODELS	40-7/8"	41-1/4" *	43-3/4"	18-1/2"	28-1/4"
45" MODELS	45-7/8"	41-1/4" *	43-3/4"	18-1/2"	28-1/4"

* Includes 4" for fold-up standoffs

IMPORTANT NOTES:

As with any fireplace, this appliance is extremely hot during operation. Read and understand all operating instructions before using this appliance. For further information, consult your dealer.

Local conditions, such as elevation, wind, vent configuration and choice of fuel will affect overall appearance of the fire and heating performance. Performance can also vary with home design and insulation, climate, condition and type of fuel used, appliance location, burn rate, accessories chosen, chimney installation and how the appliance is operated.

Diagrams, illustrations and photographs are not to scale—consult installation instructions. Product designs, materials, dimensions, specifications, colors and prices are subject to change or discontinuance without notice.

FIREPLACE EFFICIENCIES

MODEL	FUEL	BTU/HR	P4 / ENERGYGUIDE*
DRT3535	NG	26,000-17,000	62.5%
DRT3535	LP	23,000-18,000	69.6%
DRT3540	NG	33,000-23,000	62.4%
DRT3540	LP	27,000-20,000	62.6%
DRT3545	NG	35,000-24,000	62.9%
DRT3545	LP	30,000-23,000	63.0%
DRC3035	NG	20,000-15,000	64.8%
DRC3035	LP	18,000-15,000	64.9%
DRC3040	NG	24,000-18,000	63.9%
DRC3040	LP	23,000-18,000	65.2%
DRC3045	NG	28,000-22,000	62.9%
DRC3045	LP	27,000-20,000	64.8%
DRT3035	NG	20,000-15,000	63.3%
DRT3035	LP	17,000-14,000	62.4%
DRT3040	NG	24,000-19,000	64.8%
DRT3040	LP	24,000-18,000	63.8%
DRT3045	NG	28,000-22,000	64.2%
DRT3045	LP	27,000-21,000	65.4%
DRT2035	NG	18,000-14,500	62.7%
DRT2035	LP	17,000-13,000	62.3%
DRT2040	NG	21,000-17,000	61.7%
DRT2040	LP	19,000-15,000	63.5%
DRT2045	NG	23,000-18,500	61.3%
DRT2045	LP	22,000-17,000	62.8%

*Intermittent ignition systems.

